

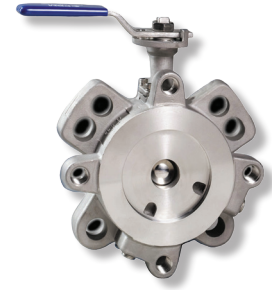
# PBM TRANSMITTER ISOLATION VALVES

## TI Series, 1" x 3", 1" x 2", 2-1/2" x 3" Flanges



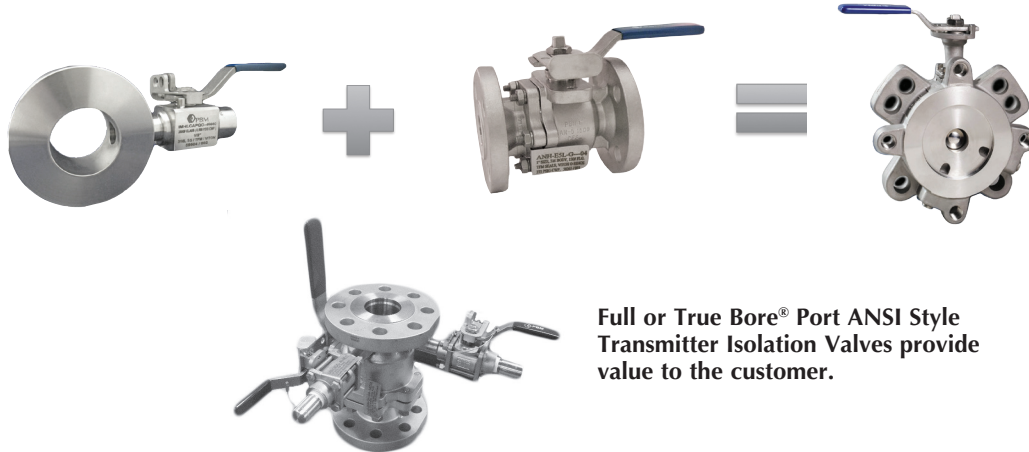
### DESIGN FEATURES:

- TIV valves feature minimal dead space which prevents build-up
- **TI Series valves DO NOT have o-rings.**
- Available in 150#, 300#, & other sizes & pressure rating available
- Purge ports and optional milled flats enable CIP and drainage without process interruption.
- Bolt pattern accommodates standard industry ANSI 150# & 300# flanged connections and retrofits to knife gate patterns.
- Hardware configuration allows separate bolting of valve to tank and transmitter to valve as an additional safety measure for hazardous media.
- Calibration port, CIP ports and locking handle standard
- Valves are design to ASME B16.34



SPECIFICATIONS	Transmitter Isolation Valves
Sizes	1" port x 3" flanges, 1" port x 2" flanges, 2-1/2" port x 3" flanges
Material	316/317L Stainless Steel, Hastelloy™ C-276, C22®, Titanium, or others
Temperatures	Ambient to 450°F depending on material
Purge/Bleed Port Size	(4) 1/4" FNPT plugged purge ports with hex head plugs
Seats & Seals	V-TEF™ seats with VTFE o-rings, S-TEF® with teflon encapsulated o-rings
Stem Packing Material	V-TEF™, S-TEF®
Body Bolts & Nuts	18-8 Stainless Steel
Maximum Working Pressure	Maximum CWP depending on flange rating and valve material of construction

### BEST TRANSMITTER ISOLATION TECHNOLOGY



Full or True Bore® Port ANSI Style Transmitter Isolation Valves provide value to the customer.

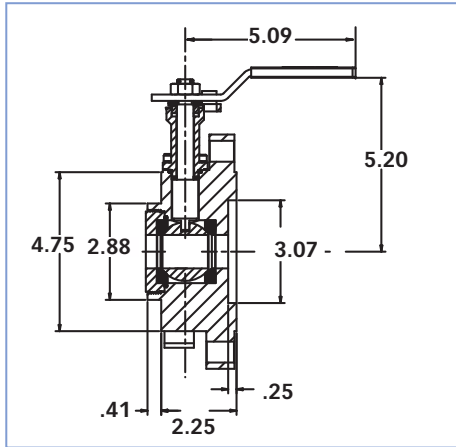
### How To Order:

PRODUCT (1-2)	MATERIAL (3-4)	SIZE (5)	SERIES (6)	CLASS OF END CONN. (7)	TYPE OF END CONN. (8)	SEAT/ SEAL/ O-RING (10)	PURGE PORTS (10)	BALL FLAT OPTIONS (11)	BALL/STEM OPTION (12)	LOCKING HANDLES (13-14)	
TI	H- 316 Stainless	E	1"	5	L 150# Flange	- 3 inch Flange	G V-TEF™ / VTFE	- Qty. 4, 1/4" Plugged Purge Ports w/ Hex Head Plugs	- Standard (no options)	- Standard (316/316L S/S Ball and Stem)	-- W/ Standard Lever Handle
	H2 317L Stainless	J	2-1/2"	M	300# Flange	H 2 inch Flange	H S-TEF® / FEP Encapsulated		A Flats closed downstream	F Internal / external grounding	07 45° Lever Handle
	C- Hastelloy™ C-276								B Flats closed upstream	G 17-4PH stem	
	Y- Hastelloy™ C-22								C Flats open upstream		
	T- Gr. 5 Titanium								D Flats open downstream		
	HC Alloy 20								E Flats open upstream & downstream		

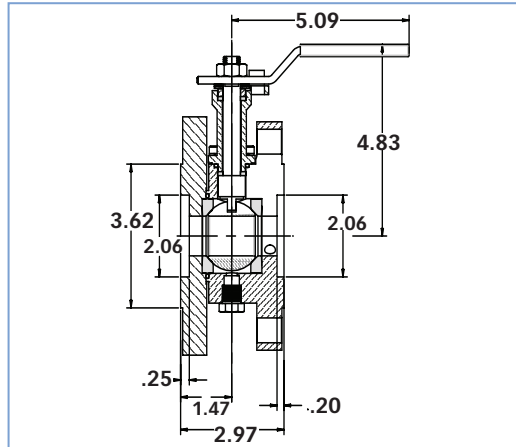
<http://pbmvalve.com/build-a-part-number>

# PBM Transmitter Isolation Valves

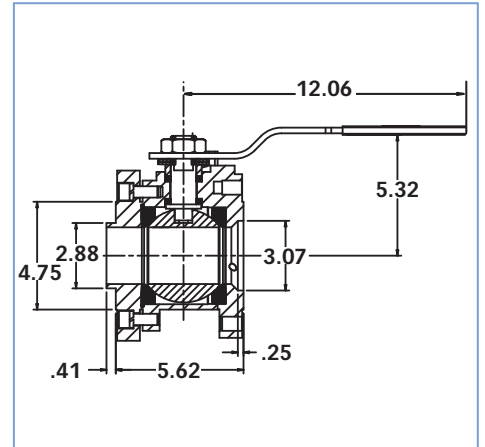
1" Port x 3" 150# Flanged TIV



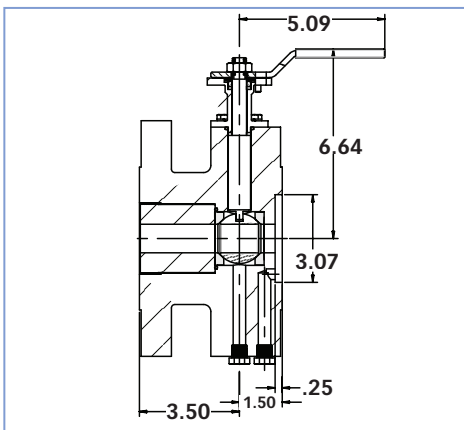
1" Port x 2" 150# Flanged TIV



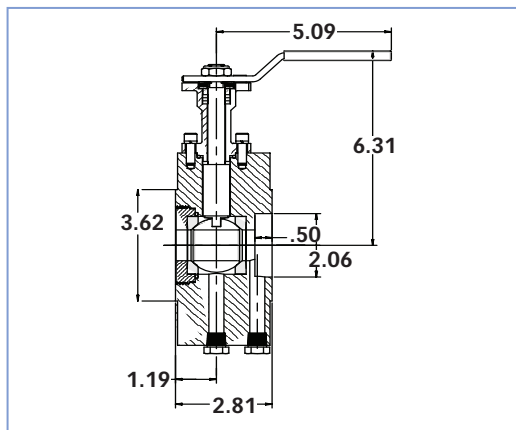
2-1/2" Port X 3" Flanged TIV



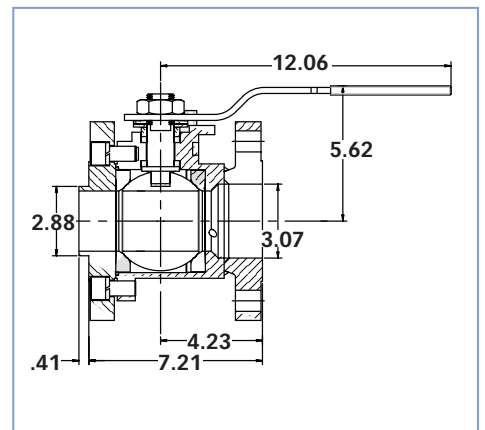
1" Port x 3" 300# Flanged TIV



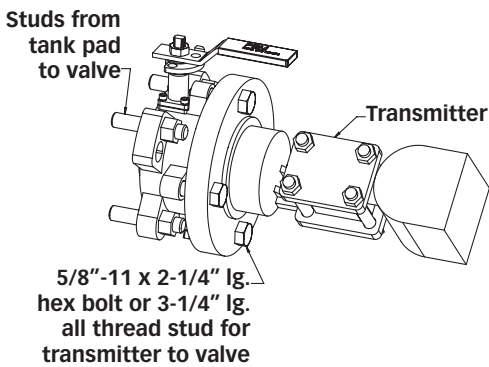
1" Port x 2" 300# Flanged TIV



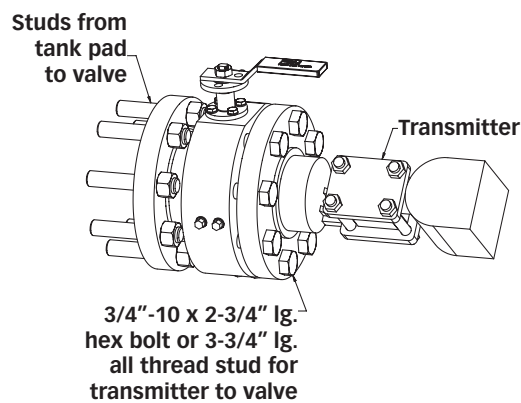
2-1/2" Port X 3" 300# Flanged TIV



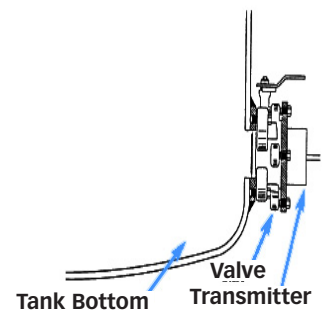
1" Port x 3" 150# Flanged TIV



2-1/2" Port X 3" Flanged TIV



Tank View



[http://www.pbmvalve.com/valves/transmitter\\_isolation](http://www.pbmvalve.com/valves/transmitter_isolation)

<http://pbmvalve.com/maintenance-instructions>

[www.PBMValve.com](http://www.PBMValve.com)

PBM, Inc. • 1070 Sandy Hill Road, Irwin, PA 15642

Phone: 800.967.4PBM • 724.863.0550

E-mail: [info@pbmvalve.com](mailto:info@pbmvalve.com)

© Copyright 2018 PBM, Inc. PB-TI

