

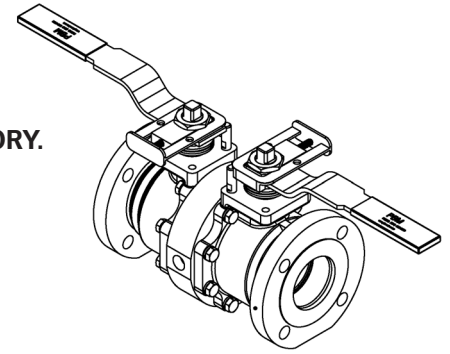
IMI PBM ANSI DOUBLE BLOCK & BLEED VALVES

AN/TN SERIES 5, Sizes 1/2" - 12"



DESIGN FEATURES:

- End Connection design and fabrication flexibility
- **AN SERIES 5 DBB VALVES MAY HAVE O-RINGS. CONSULT FACTORY.**
- Full and reduced port designs
- Customizable end connections
- Quarter turn operation
- Bleed or gauge ports available
- Bolted Body
- API-641 Low-E, standard temperature limitations apply



The high temperature valve version consists of carbide coating on the ball and seats.

SPECIFICATIONS	AN SERIES 5 DOUBLE BLOCK & BLEED VALVES
Sizes	1/2" - 12" CL150 & CL300
Material	316 Stainless Steel, Hastelloys, Duplex SS, Carbon Steels, Monel, others available
Temperatures	Ambient to 800°F depending on material
End Connections	ANSI RF Flange, others available
Seats & Seals	V-TEF™, C-TEF™, S-TEF® . PEEK®, Stellite, Tungsten or Chrome Carbide Coated S/S Balls & Seats
Stem Packing Material	V-TEF™, C-TEF™ or S-TEF®, Graphite
Maximum Working Pressure	In accordance with ASME B16.34

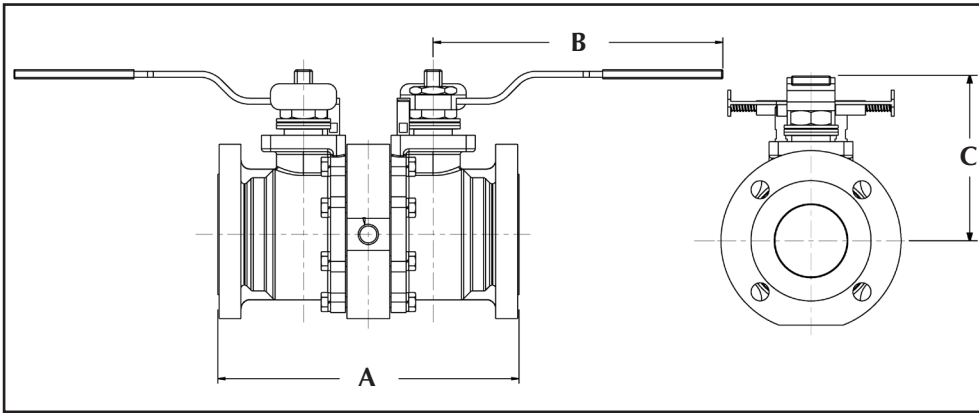
ALLOWABLE WORKING PRESSURES/TEMPERATURES (psig/barg)						
ANSI CL150 FLANGED						
VALVE MATERIAL	-20° TO 100°F	-28.9° to 37.8°C	300°F	148.9°C	450°F	232.2°C
C-276	230	15.9	200	13.8	180	12.4
316/316L S/S	275	19.0	215	14.8	180	12.4
Carbon Steel	285	19.7	230	15.9	185	12.8
ANSI CL300 FLANGED						
C-276	600	41.4	520	35.9	475	32.8
316/316L S/S	720	49.6	560	38.6	495	34.1
Carbon Steel	740	51.0	655	45.2	620	42.7

How To Order:

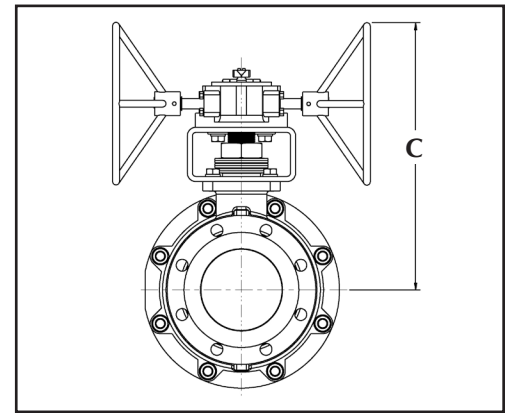
PRODUCT (1-2) MATERIAL (3-4)	TYPE/CLASS (5) SERIES (6)	HP UPSTREAM		LP DOWNSTREAM		SEAT/ SEAL (9)	HP UPSTREAM		LP DOWNSTREAM		BLEED PORT OPTIONS (12)	OPERATOR OPTIONS (13-14)	BLEED VALVE OPTIONS (15)		
		1ST END CONN. TYPE (7)	2ND END CONN. TYPE (8)	1ST END CONN. SIZE (10)	2ND END CONN. SIZE (11)		1ST END CONN. SIZE (10)	2ND END CONN. SIZE (11)							
AN H- Cast 316/ 316L S/S	K Double Block 150# Class	5	L RF Flange	L RF Flange	G V-TEF™ Seats / Seals FKM O-Ring	1	1/2" Full Port	1	1/2" Full Port	A	(1) 1/4" FNPT Bleed Port 90° from Stem	--	W/ Standard Lever Handle	A	1/4" FNPT Ball Valve
TN E- Carbon Steel 150# Class Only	L Double Block 300# Class		W RTJ Flange	W RTJ Flange	J V-TEF™ Seats / Seals / VTFE Cav Fill / FKM O-Ring	E	3/4" Full Port	E	3/4" Full Port	B	(1) 1/4" FNPT Bleed Port 180° from Stem	02	W/O Handle W/ Stem Actuator Prep	B	3/8" FNPT Ball Valve
Other material options available - Contact PBM.			Z V-TEF™ Seats / Seals EPR O-Ring		4	1" Full Port	4	1" Full Port	C	(1) 3/8" FNPT Bleed Port 90° from Stem	04	Locking Lever Handle	C	1/2" FNPT Ball Valve	
			G 1-1/2" Full Port	G 1-1/2" Full Port	D	(1) 3/8" FNPT Bleed Port 180° from Stem	08	Gear Operator (Req'd for 6")	D	3/4" FNPT Ball Valve					
			H 2" Full Port	H 2" Full Port	E	(1) 1/2" FNPT Bleed Port 90° from Stem	18	Extended Handle (1/2" thru 4")	E	1" FNPT Ball Valve					
			J 2-1/2" Full Port	J 2-1/2" Full Port	F	(1) 1/2" FNPT Bleed Port 180° from Stem	20	DA 80psig actuator	L	1/4" Welded Ball Valve					
			K 3" Full Port	K 3" Full Port	G	(1) 3/4" FNPT Bleed Port 90° from Stem	27	DA 60psig actuator	M	3/8" Welded Ball Valve					
			L 4" Full Port	L 4" Full Port	H	(1) 3/4" FNPT Bleed Port 180° from Stem	34	SR 80psig actuator	N	1/2" Welded Ball Valve					
			M 6" Full Port	M 6" Full Port	J	(1) 1/4" Socket Weld Bleed Port 90° from Stem	41	SR 60psig actuator	P	3/4" Welded Ball Valve					
					K	(1) 1/4" Socket Weld Bleed Port 180° from Stem			Q	1" Welded Ball Valve					
					L	(1) 3/8" Socket Weld Bleed Port 90° from Stem									
					M	(1) 3/8" Socket Weld Bleed Port 180° from Stem									
					N	(1) 1/2" Socket Weld Bleed Port 90° from Stem									
					P	(1) 1/2" Socket Weld Bleed Port 180° from Stem									
					Q	(1) 3/4" Socket Weld Bleed Port 90° from Stem									
					R	(1) 3/4" Socket Weld Bleed Port 180° from Stem									

IMI PBM AN/TN SERIES 5 DOUBLE BLOCK & BLEED VALVES

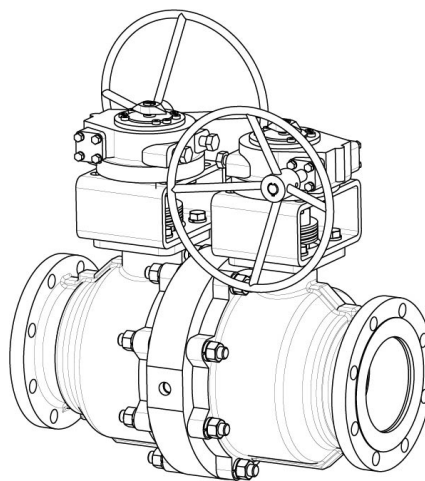
Double Block & Bleed with Locking Handle



Double Block & Bleed with Gear Operator



AN Series 5 DBB Dimensioned valves in inches						
Valve Size	A		B		C	
	CL150	CL300	CL150	CL300	CL150	CL300
1/2"	CF	CF	4.15	4.15	2.66	2.66
3/4"	CF	CF	4.15	4.15	2.81	2.81
1"	9.04	10.84	5.09	5.09	3.09	3.09
1-1/2"	11.57	12.57	8.03	8.03	4.43	4.43
2"	12.60	14.04	8.03	8.03	4.74	4.74
3"	12.54	15.78	12.06	12.06	6.85	6.85
4"	14.72	17.72	24.06	24.06	9.00	9.00
6"	24.46	29.19	GEAR OP	GEAR OP	19.75	19.75
8"	34.30	42.00	GEAR OP	GEAR OP	23.10	28.63
10"	47.13	N/A	GEAR OP	N/A	32.91	N/A
12"	53.13	N/A	GEAR OP	N/A	33.48	N/A



www.PBMValve.com

PBM, Inc. • 1070 Sandy Hill Road, Irwin, PA 15642

Phone: 800.967.4PBM • 724.863.0550

E-mail: info.pbmvalve@imi-critical.com

