

# IMI PBM INDUSTRIAL ANSI BALL VALVES

## AN Series 5, 1/2" - 6"

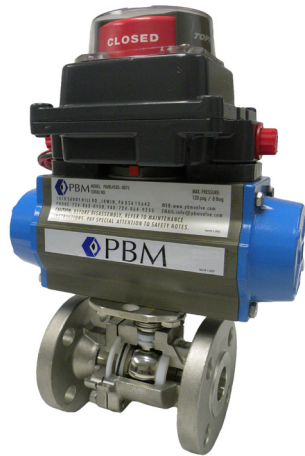


### DESIGN FEATURES:

- Valves are rated for full vacuum.
- Unique Adjust-O-Seal® feature allows in-line valve adjustment to compensate for normal wear on valve seats.
- **AN Series ANSI valves have o-rings.**
- Valves are a two-piece "split body" design.
- Upstream and downstream bubble-tight sealing capability allows valve body cleaning, purging, and draining.
- Stem assembly accommodates IMI PBM Direct Mount Actuator for accurate alignment and increased cycling life.
- Fire Rated option available
- Optional Purge port and milled ball flats drain holes allow inline CIP to prevent clogging and plug formation.
- Self flushing ball and v-ball options available



SPECIFICATIONS	2-Way Valves
Sizes	1/2" - 6" Series 5
Material	316 Stainless Steel, Hastelloy™ C-276, Carbon Steel, others
Temperatures	20°F to 450°F depending on seat and seal material
End Connections	150# & 300# RF Flange
Seats & Seals	White V-TEF™ standard, others available
O-rings	O-ring seal (FKM V1274-75/80, EPR E3608-70, others available)
Stem Packing Material	V-TEF™ and S-TEF®
Body Bolts & Nuts	B16.34 bolting
Maximum Working Pressure	up to 740 psig CWP depending on valve series, size and temperature



Size	CV Values (gpm)		
	Cv (gpm)	Weight 150 # Class	Weight 300 # Class
1/2"	13	3.5 lbs.	4.8 lbs.
3/4"	52	6.8 lbs.	7.3 lbs.
1"	80	8 lbs.	11 lbs.
1-1/2"	190	16 lbs.	23 lbs.
2"	400	25 lbs.	30 lbs.
3"	1,100	50 lbs.	71 lbs.
4"	2,400	96 lbs.	130 lbs.
6"*	5,600	242 lbs.	326 lbs.

\*Valve approximate weight without handle

### How To Order:

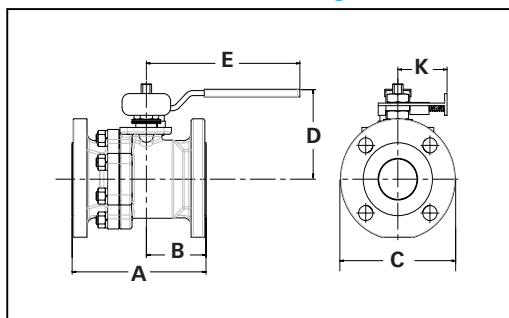
PRODUCT (1-2)		SIZE (5)		ENDS		SEAT & SEAL		PURGES		BALL & STEM		OPERATOR		POLISH			
MATERIAL (3-4)		SERIES		(7-8)		(9)		(10-11)		(12)		(13-14)		(15-16)			
AN	H-	Cast 316/ 316 S / S	C	1/2"	5	L-	150# RF Flange	G	V-TEF™ Seats / Seals FKM O-Ring	--	No Purge Port or Ball Option	-	Standard Ball and Stem	--	W/ Standard Lever Handle	-	125 Ra ID Standard
	E-	Carbon Steel	D	3/4"		M-	300# RF Flange	J	V-TEF™ Seats / Seals / VTFE Cav Fill / FKM O-Ring	- 8	Self Flushing Ball	F	Internal / External Grounding	02	W/O Handle W/ Stem Actuator Prep	A	20 Ra ID
	C-	Hastelloy C-276	E	1"				Z	V-TEF™ Seats / Seals EPR O-Ring	- V	Slotted V-Ball	G	17-4PH Stem	04	Locking Lever Handle	C	20 Ra ID / 32 Ra OD
	Y-	Hastelloy C-22	G	1-1/2"				2	V-TEF™ Seats / Seals / VTFE Cav Fill / EPR O-Ring	- W	30° V-Ball			08	Gear Operator (Req'd for 6")	F	20 Ra ID after Electro Polish
			H	2"					V-TEF™ Seats / Seals / VTFE Cav Fill / EPR O-Ring	- X	45° V-Ball			18	Extended Handle (1/2" thru 4")		
	P-	AL6XN	K	3"					V-TEF™ Seats / Seals / VTFE Cav Fill / EPR O-Ring	- Y	60° V-Ball			20	DA 80psig actuator		
		Other material options available - Contact PBM.	L	4"				H	S-TEF® Seats / Seals FKM O-Ring		Other Purge Port & Ball Options - Contact PBM.			27	DA 60psig actuator		More polish available - Contact PBM.
			M	6"				0	S-TEF® Seats / Seals EPR O-Ring					34	SR 80psig actuator		
														41	SR 60psig actuator		

Other operator options available -  
Contact PBM.

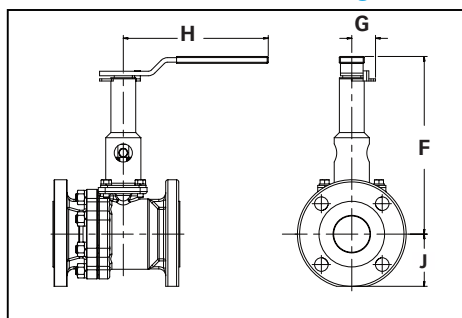
Other seat/seal options available -  
Contact PBM.

# IMI PBM Industrial ANSI Ball Valves Manual

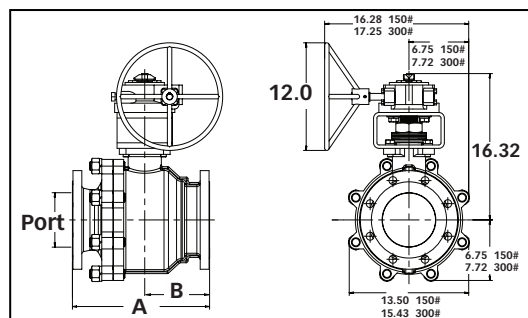
ANSI Valve with Locking Handle



ANSI Valve with Ext. Locking Handle



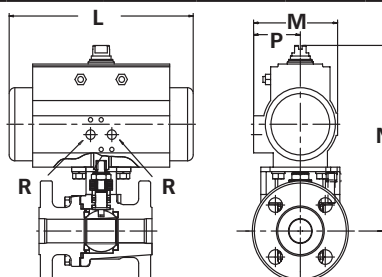
ANSI Valve with Gear Operator (6" only)



Valve Size	Size Code	Port Dia.	A		B		C		D	E	J		Ext. Locking Handle			Locking Handle	
			Overall Length		¢ to End		Flange Diameter				¢ to Bottom		F	G	H	K	Hole Dia. for Lock
			150#	300#	150#	300#	150#	300#			150#	300#					
1/2"	C	0.5	4.25	5.50	1.85	2.52	3.50	3.75	2.66	4.15	1.62	1.75	7.19	1.00	5.09	1.62	.25
3/4"	D	0.75	4.62	6.00	2.12	2.90	3.88	4.62	2.78	4.15	1.80	2.15	7.34	1.00	5.09	1.62	.25
1"	E	1.00	5.00	6.50	2.25	3.15	4.25	4.88	3.09	5.06	2.06	2.38	7.63	1.00	5.09	2.08	.28
1-1/2"	G	1.50	6.50	7.50	2.68	3.18	5.00	6.12	4.16	8.03	2.38	3.00	9.50	1.31	8.00	2.58	.38
2"	H	2.00	7.00	8.50	3.12	3.84	6.00	6.50	4.46	8.03	2.88	3.12	9.81	1.31	8.00	2.58	.38
3"	K	3.00	8.00	11.12	3.57	5.19	7.50	8.25	7.00	12.06	3.50	4.00	11.69	1.50	12.06	3.47	.38
4"	L	4.00	9.00	12.00	3.84	5.34	9.00	10.00	7.39	24.06	4.38	4.75	13.03	3.50	24.06	NA	NA
6"	M	6.07	15.50	15.88	7.33	7.70	11.00	12.50	NA	NA	NA	NA	NA	NA	NA	NA	NA

## ACTUATED DIMENSIONS

Unit of Measure = inches  
Dimensions based on actuators used with V-TEF™ seats.



Size	80 PSI Double Acting					60 PSI Double Acting					80 PSI Spring Return ¢ to Bottom					60 PSI Spring Return				
	L	M	N	P	R	L	M	N	P	R	L	M	N	P	R	L	M	N	P	R
1/2"	5.50	2.79	5.84	1.61	1/8	5.50	2.79	5.84	1.61	1/8	5.50	2.79	5.84	1.61	1/8	5.50	2.79	5.84	1.61	1/8
3/4"	6.38	3.17	6.44	1.77	1/8	6.38	3.17	6.44	1.77	1/8	6.38	3.17	6.44	1.77	1/8	6.38	3.17	6.44	1.77	1/8
1"	5.55	2.8	6.71	1.61	1/8	5.55	2.8	6.71	1.61	1/8	8.27	3.72	7.87	2.07	1/8	8.27	3.72	7.87	2.07	1/8
1-1/2"	6.46	3.17	8.44	1.77	1/8	8.27	3.72	9.15	2.07	1/8	10.83	4.84	10.2	2.68	1/4	10.83	4.84	10.2	2.68	1/4
2"	8.27	3.72	9.46	2.07	1/8	8.27	3.72	9.46	2.07	1/8	10.83	4.84	10.51	2.68	1/4	13.11	5.39	11.87	2.87	1/4
3"	13.11	5.39	13.81	2.87	1/4	13.11	5.39	13.81	2.87	1/4	14.65	5.83	14.29	3.15	1/4	17.13	6.46	15.18	3.44	1/4
4"	17.13	6.46	17.34	3.44	1/4	17.13	6.46	17.34	3.44	1/4	19.69	7.36	18.28	3.94	1/4	22.78	7.36	20.53	3.94	1/4
6"	22.78	8.58	24.11	4.29	1/4	22.78	8.58	24.11	4.29	1/4	22.78	8.58	24.11	4.29	1/4	26.46	11.42	28.87	5.71	1/4

[www.PBMValve.com](http://www.PBMValve.com)

PBM, Inc. • 1070 Sandy Hill Road, Irwin, PA 15642

Phone: 800.967.4PBM • 724.863.0550

E-mail: [info.pbmvalve@imi-critical.com](mailto:info.pbmvalve@imi-critical.com)

